

# Hipster PULS

## User manual



PULS 300307  
Made in Sweden



SIEMP



# 1. Preface

## The Story

Arvika, Sweden; the home of where the Hipster brewer was created and innovated. It is in this small industrial town in the middle of Sweden, where hard working men and women reap their harvest of diligent work; a work of tradition and dedicated skilled craftsmanship. Arvika is sincerely famous for it's warmth during the summer, for it's environment of magnificent forests and foremost for the surroundings of 365 smaller lakes, that enhance mysticism and stories from the past to the present. The home of the Hipster brewer.

---

**The Hipster** is classified by baristas and coffee people all over the world as one of the best amongst filter coffee machines. Hipster is a unique brewer. Unlike any other brewer in the market it let's you control blooming, temperatures in 3 phases and water distribution for each recipe. It is designed and developed in Sweden by a team with vast experience from the coffee industry.

The Hipster is a game changer as it brings filter coffee to a new level. Precision of flow rate, temperature and extraction time are critical factors to reach the best possible extraction. In order to preserve the coffee's origin in flavour and fragrance, makes the demands high on these 3 parameters precision in order to recreate the same taste experience time and again.

The fresh water system and the recipe parameters makes a huge impact on the taste and a tiny impact on the environment as it consumes barely 7 watts when not brewing.

We hope you will enjoy your new Hipster brewer.

With best wishes



Copyright 2019 All rights reserved  
3TEMP/PLAE2TECH





## Table of contents

<b>1. Preface</b> .....	<b>3</b>
<b>2. Safety information</b> .....	<b>6</b>
2.1 Introduction.....	6
2.2 This user manual.....	6
2.3 Intended use .....	6
2.4 Capacity of the machine.....	7
2.5 General safety instructions .....	7
2.6 Disposal.....	9
<b>3. Before first use</b> .....	<b>9</b>
<b>4. Product description Hipster PULS</b> .....	<b>10</b>
4.1 Description.....	10
4.2 The cycle of The Hipster taste-profiling .....	11
<b>5. Technical data</b> .....	<b>12</b>
5.1 Hipster PULS.....	12
5.2 Wiring diagram.....	13
<b>6. Unpacking</b> .....	<b>14</b>
<b>7. Installation instructions</b> .....	<b>15</b>
7.1 Description.....	15
7.2 Connect the PULS.....	15
7.3 How to change side of the button controller.....	16
7.4 Connect the water filter system.....	18
7.5 Connect the network .....	18
7.6 Start the PULS .....	18
7.7 Machine status.....	19
<b>8. User instructions</b> .....	<b>20</b>
8.1 Prepare a brew .....	20
8.2 Select recipe .....	21
8.3 Thermos detachable serving base .....	23
<b>9. Recipe settings with button controller</b> .....	<b>24</b>
<b>10. Care and maintenance after use</b> .....	<b>27</b>
10.1 Cleaning instructions.....	27
10.2 Cleaning thermos.....	28
10.3 Cleaning water strainer.....	31
<b>11. Spare parts</b> .....	<b>32</b>
<b>12. Extra additions</b> .....	<b>33</b>
<b>13. Declaration of conformity</b> .....	<b>34</b>
<b>14. Warranty</b> .....	<b>35</b>
<b>15. Notes</b> .....	<b>36</b>





## 2. Safety information

### 2.1 Introduction

Save these instructions for future reference.

Information for the user: safety instructions



Caution!



Note!



Burn hazard!



Electric shock hazard!



Warning!



Protect your eyes.



### 2.2 This user manual

This user manual is an integral part of the appliance and must be kept in an accessible place under the working life of the appliance.

### 2.3 Intended use

This appliance is intended to be used in applications such as:

- Kitchen areas, shops.
  - Offices and other commercial working environments.
  - Hotels, motels.
  - Bed and breakfast environments.
- Switch off the appliance when NOT in use.
  - Do not use this appliance for anything other than intended use. Any maintenance other than cleaning should be performed by authorised person.
  - Do not install the machine in environments in which the temperature is 0 C or less.
  - Do not use outdoors.

## 2.4 Capacity of the machine.

For the optimal performance of the PULS these parameters shall not be exceeded:

Maximum permissible inlet water pressure : 800KPa (8Bar)

Minimum permissible inlet water pressure: 200KPa (2Bar)

Maximum working temperature: 40C

Minimum working temperature: 10 C

## 2.5 General safety instructions



**Warning!** In case of improper use the responsibility is on the user.

Read all the user instructions before using the machine. This guide contains important instructions for proper and safe use of the Hipster brewer. Always keep this manual close at hand for future reference. We reserve the right for any errors in text or images and any necessary changes made to technical data. In the event of technical problems or any questions. Please contact our support@3temp.com

- The appliance is only to be installed in locations where it can be overseen by trained personnel.
- The English language is used for the original instructions.
- This appliance is not intended for use by persons (including children) with reduced physical, sensory or mental capabilities, or lack of experience and knowledge, unless they have been given supervision or instruction concerning use of the appliance in a safe way and if they understand the hazards involved by a person responsible for their safety.
- Children should be supervised to ensure that they do not play with the appliance.
- This appliance can be used by children aged from 8 years and above and persons with reduced physical, sensory or mental capabilities or lack of experience and knowledge if they have been given supervision or instruction concerning use of the appliance in a safe way and understand the hazards involved.
- Cleaning and user maintenance shall not be made by children without supervision.
- The instructions shall state that access to the service area should only be permitted to persons having knowledge and practical experience of the appliance, in particular as far as safety and hygiene are concerned.
- Indoor use.

**Burn hazard!**

- This appliance dispense hot water from the brewing hat and may cause injury if not used correctly. The brew basket must be in place before a recipe is started.
- Do not move the brew basket while the coffee is being brewed.
- Do not touch hot surfaces with your hands; use the handles and buttons.

**Electric shock hazard!**

- Avoid getting the coffee machine wet and do not spray liquids onto it. In the event of contact with liquid immediately switch off the power at the socket or main breaker and dry the appliance thoroughly.
- Never immerse the machine, plug or mains cable in water because there is a danger of electric shock.
- Never try to put out a fire or flames with water. Turn of the appliance and remove the plug from the socket, and smother the flames with a fire blanket or other appropriate cover.
- Do not operate any electrical appliance with a damaged cord or after the appliance has been damaged in any manner. If the mains cable is damaged it must be replaced by the customer service to avoid a hazard.
- Do not install the machine in environments in which the temperature is 0° C or less.
- Do not move the Hipster brewer whilst in operation.
- Do not use the Hipster brewer on a sink drain board.
- Do not place the Hipster brewer on or near a hot gas or electric burner, or where it could touch a heated oven.
- Keep the appliance and accessories clean. Follow the cleaning instructions provided in this manual.
- Only use original spare parts. The use of spare parts not approved by the manufacturer could lead to fires, electric shocks or personal injury.
- Do not place on top of any other appliance.
- Appliance must not be cleaned by a water jet.



## 2.6 Disposal



Do not dispose of the device in household waste! Recycle devices, accessories and packaging. Observe applicable national regulations.

EU only: In accordance with European Directive on waste electrical and electronic equipment and implementation in national law, used electric power tools must be collected separately and handed in for environmentally friendly recycling. By collecting and recycling waste, you help save natural resources, and make sure the product is disposed in an environmental friendly and healthy way.

## 3. Before first use

Remove all packaging materials attached to your Hipster PULS. Ensure that you have removed all parts and accessories before discarding the packaging.

Clean parts and accessories, filter, basket and thermos. Use warm water and a gentle dish washing liquid and rinse well. Wipe the outer housing and drip tray with a soft damp cloth and dry thoroughly.



**Note!** We recommend that you save the packaging for a possible return of goods.



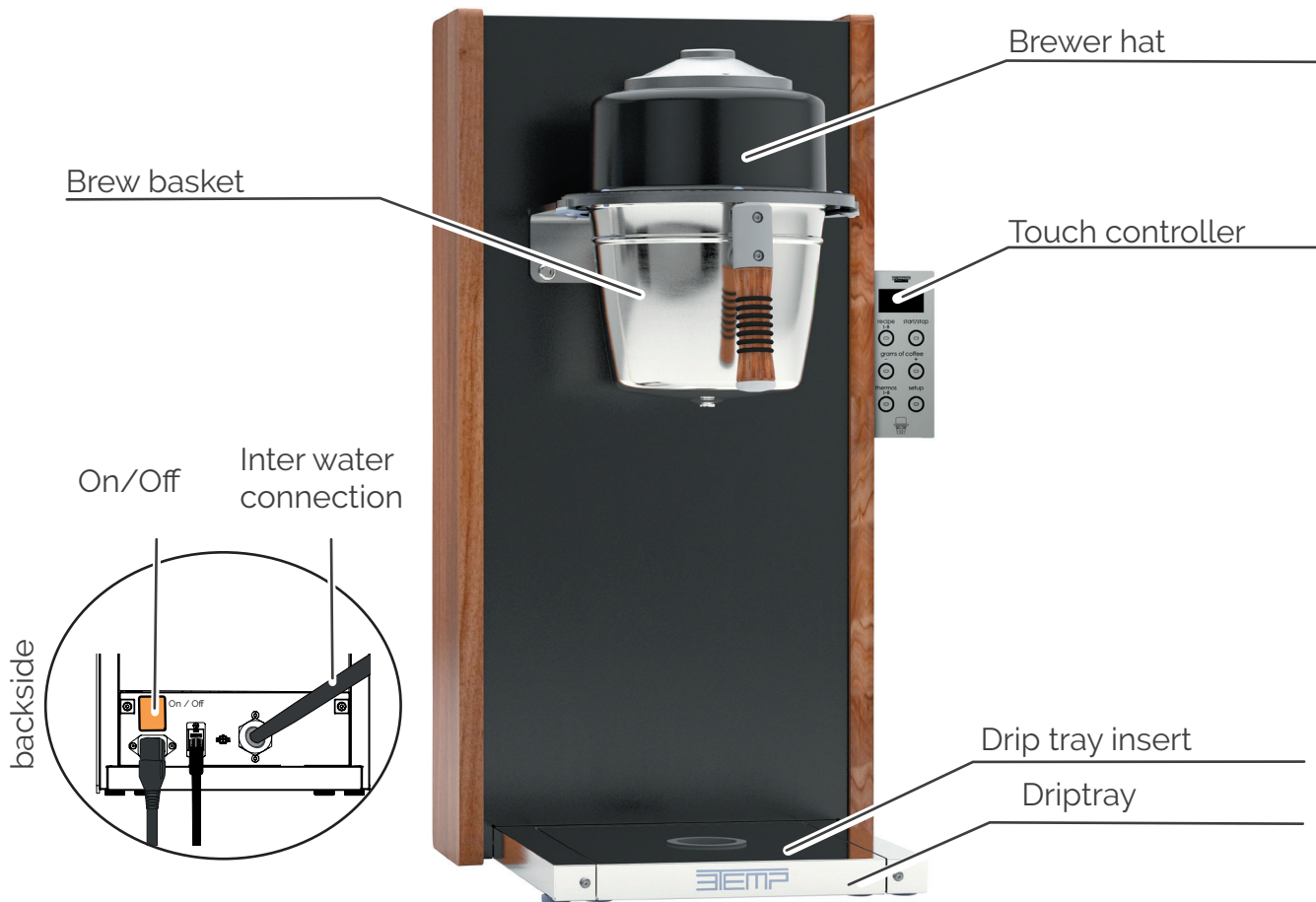
**Danger!** Do not immerse power cord, power plug for appliance in water or any other liquid. Do not clean any of the parts or accessories in the dishwasher. Important to clean the product properly.



**Important!** Ensure that you have removed all parts and accessories before discarding the packaging.

# 4. Product description Hipster PULS

## 4.1 Description



Thermos 3,8 l



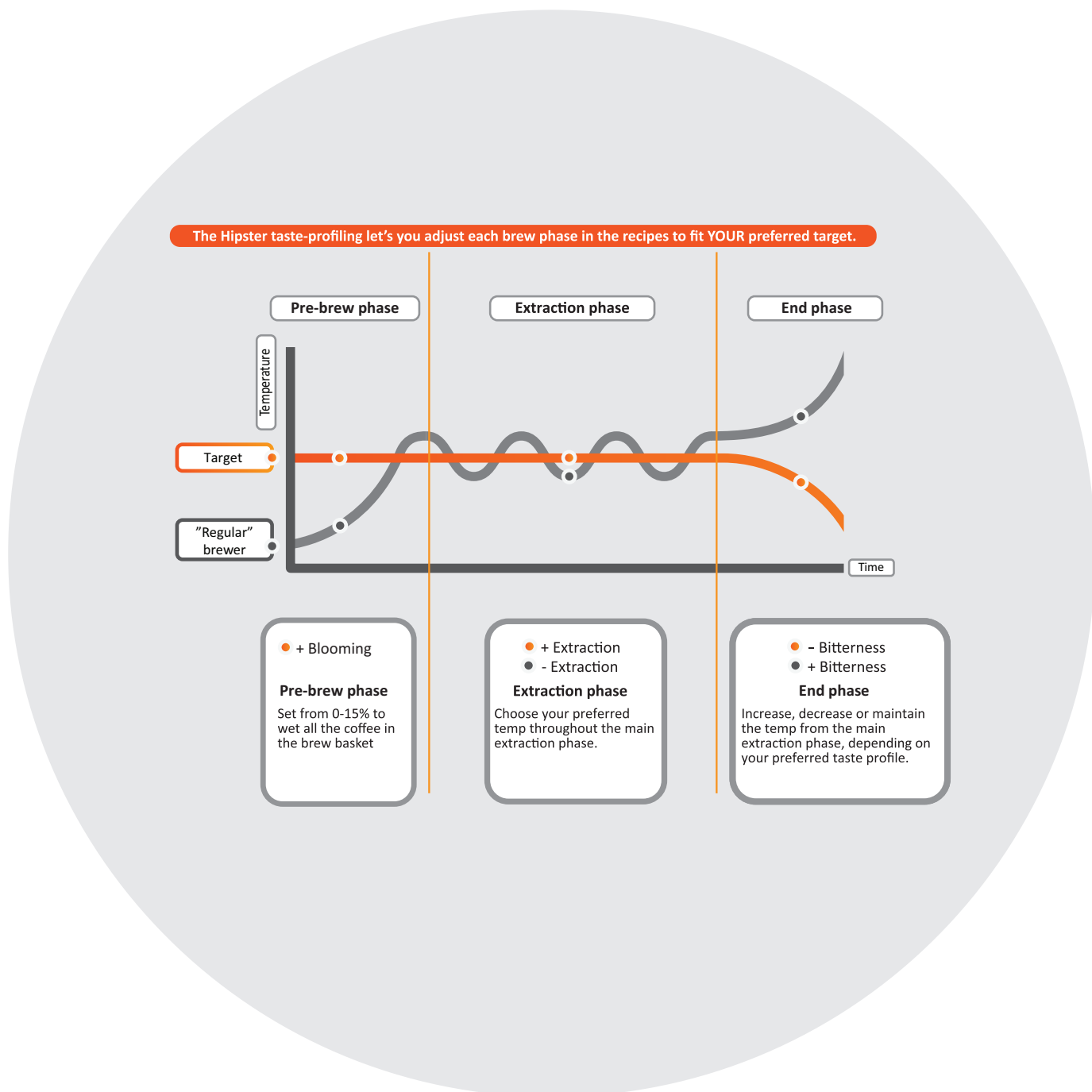
Thermos 2,5 l



Level tube

Coffee tap

## 4.2 The cycle of The Hipster taste-profiling

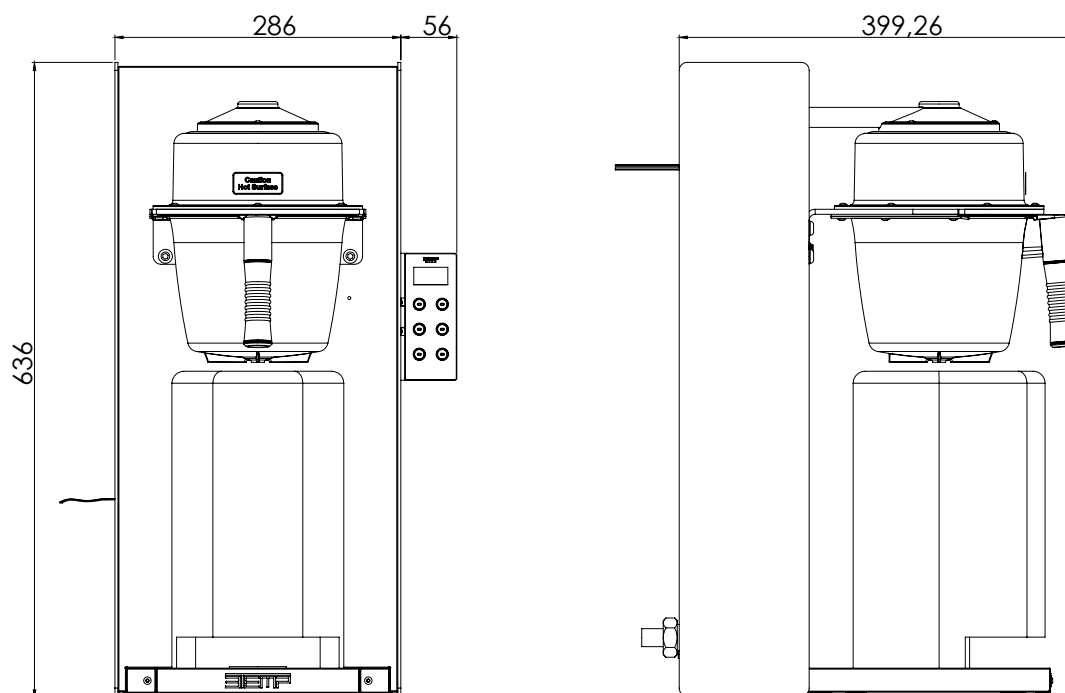


## 5. Technical data

### 5.1 Hipster PULS

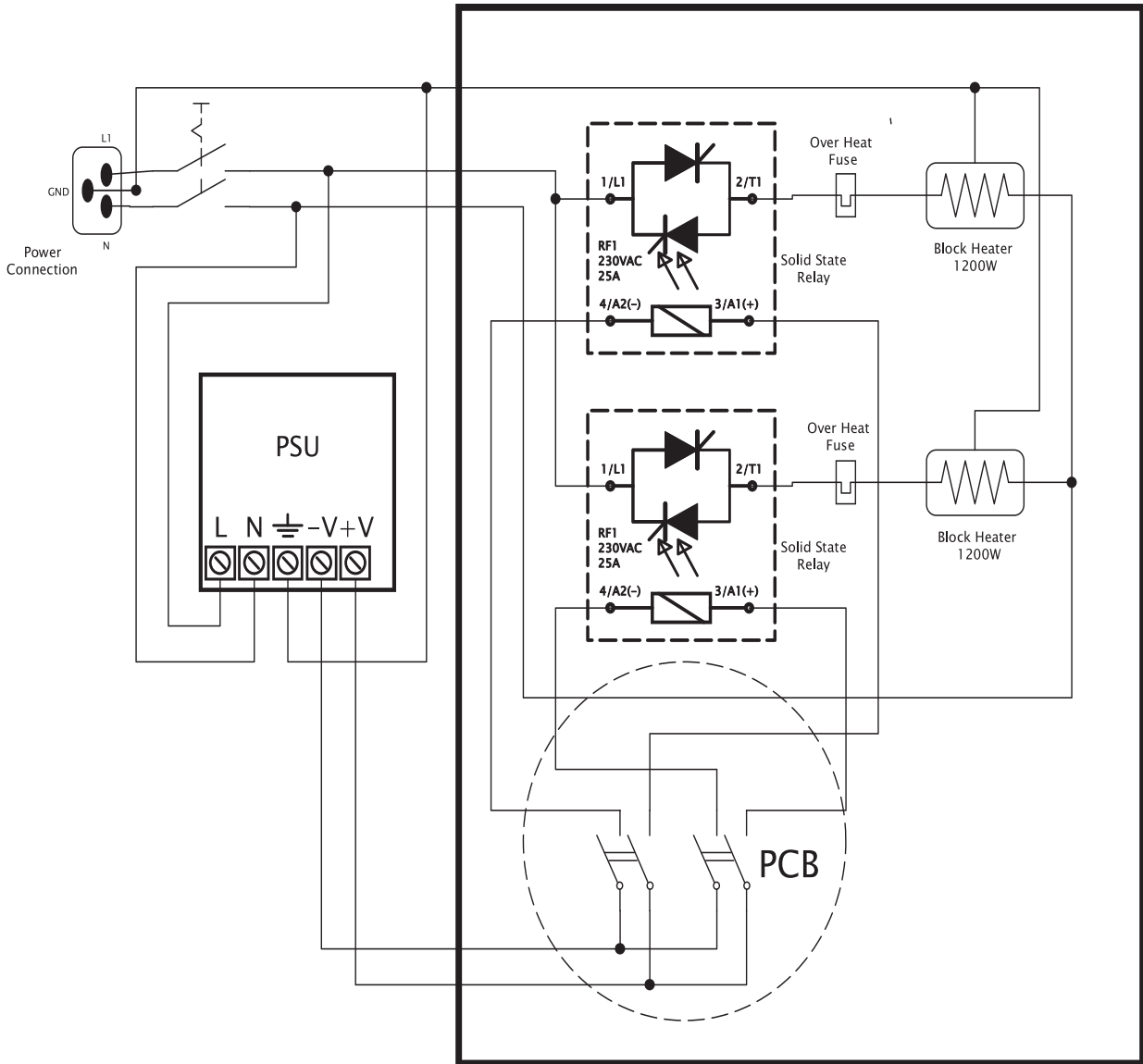
Including button controller, router.  
The machine is placed on the counter.

Capacity:	1x3,8 lit 200 cups/h.
Dimensions main unit:	W 286mm/D 400mm/H 636mm.
Weight total :	21 kg.
Max power hot:	230V 1x2400W.
Max power cold:	1x38W.
Max power idle:	7 W.



### 5.2 Wiring diagram.

TUBE 220-240 VAC 2400W

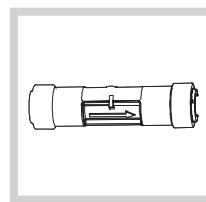




# 6. Unpacking



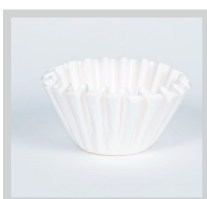
Router



Non-return valve



Brew basket plastic



Coffee filter 1x 25. 110/330



Thermos 2,5 Litres



RJ hub Extension adapter



Extension cords router



Inlet hose

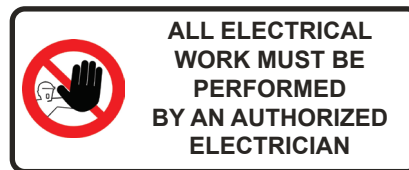


## 7. Installation instructions

### 7.1 Description

Tools needed:

- Spirit-level
- Hex key 4 mm  
2,5 mm

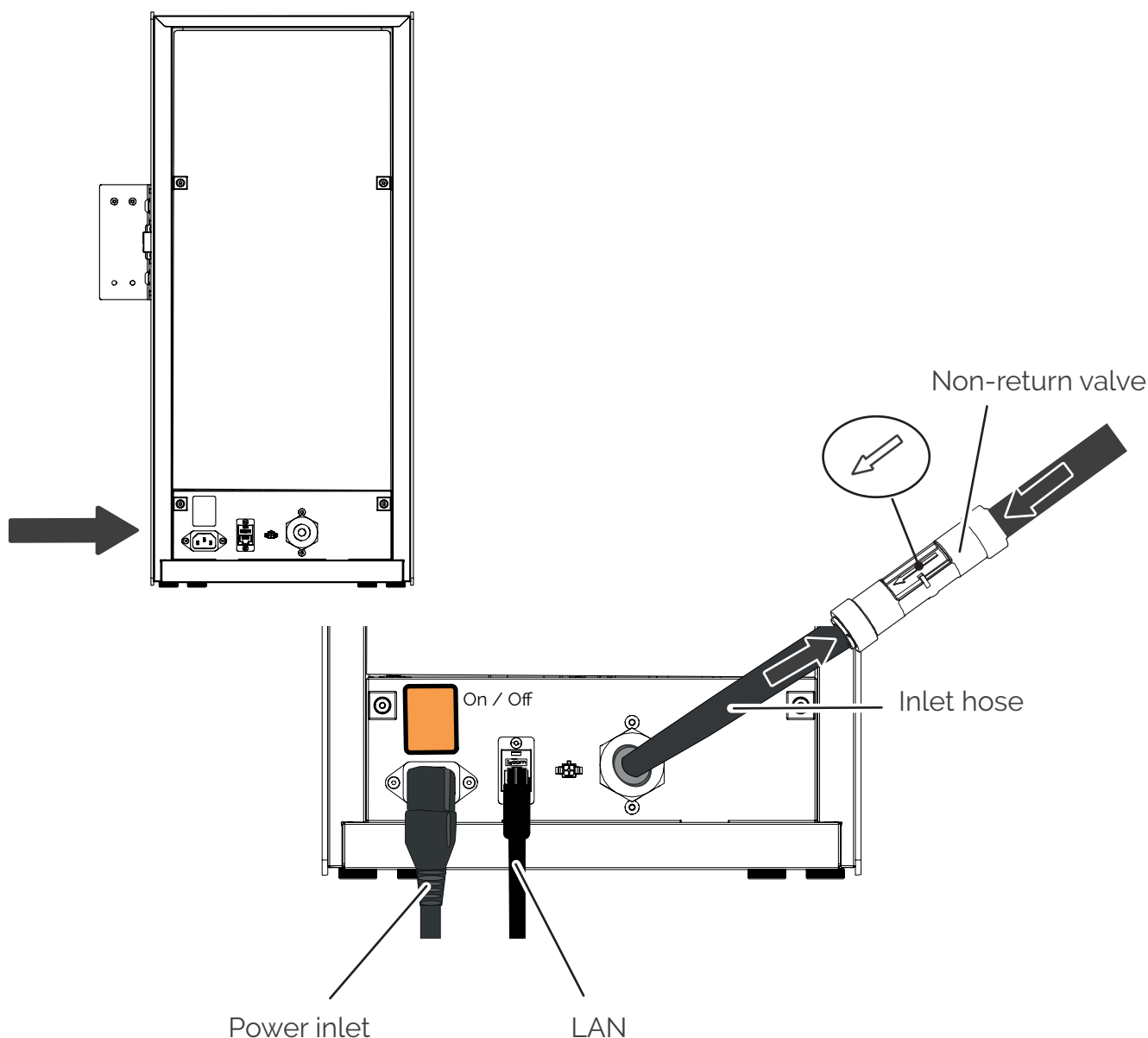


### 7.2 Connect the PULS

1. Fasten the cords and the non-return valve.  
Tighten the inlet hose on the backside of the PULS.



**Important!** When fasten the non-return valve; make sure that the arrow is in the right direction (toward the machine).

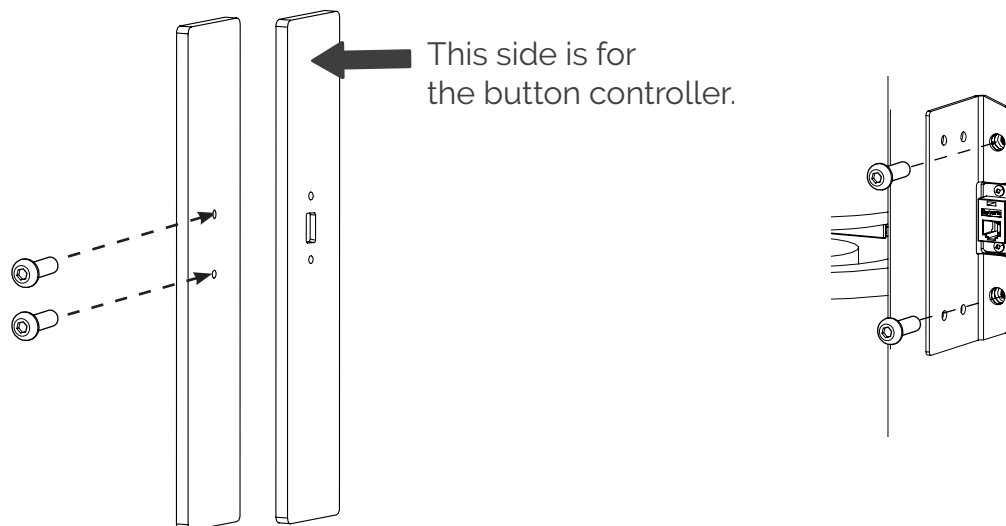


## 7.3 How to change side of the button controller.

1. Decide where to place the button controller either on the left hand side or the right hand side

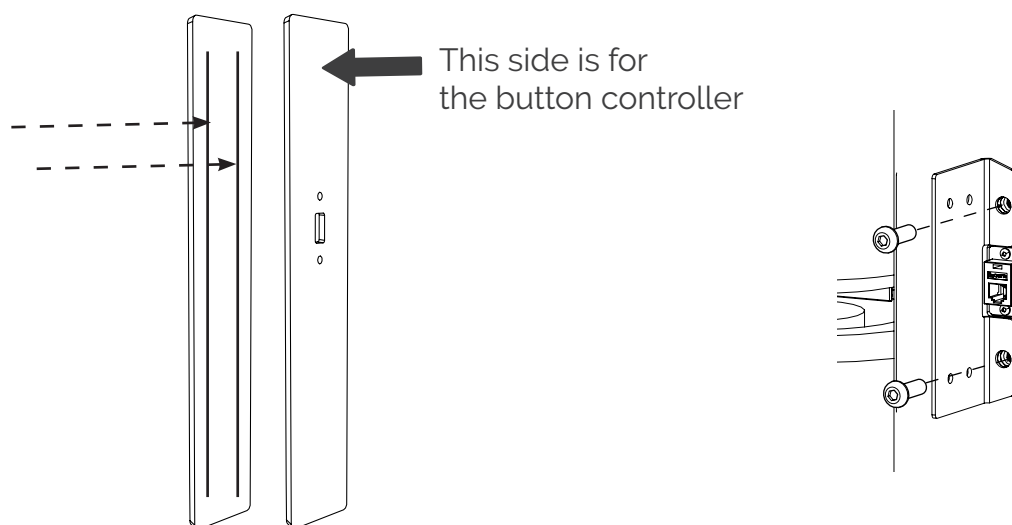
2. Fasten the panels with the magnets and the bracket for the button controller.

### • Wood panels

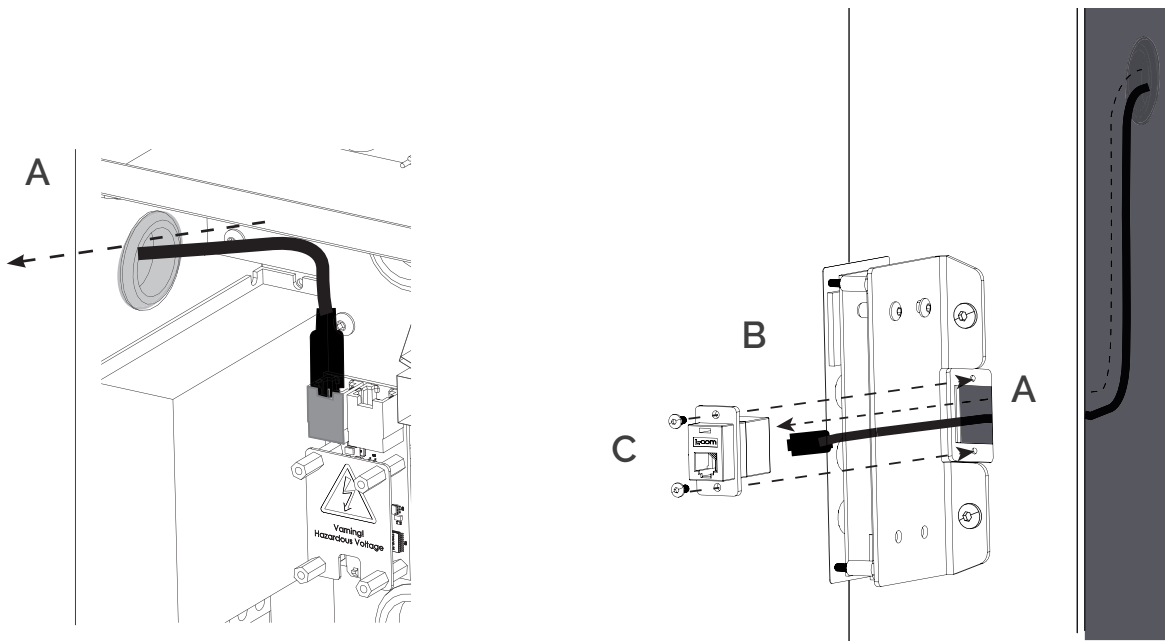


### • Metal panels

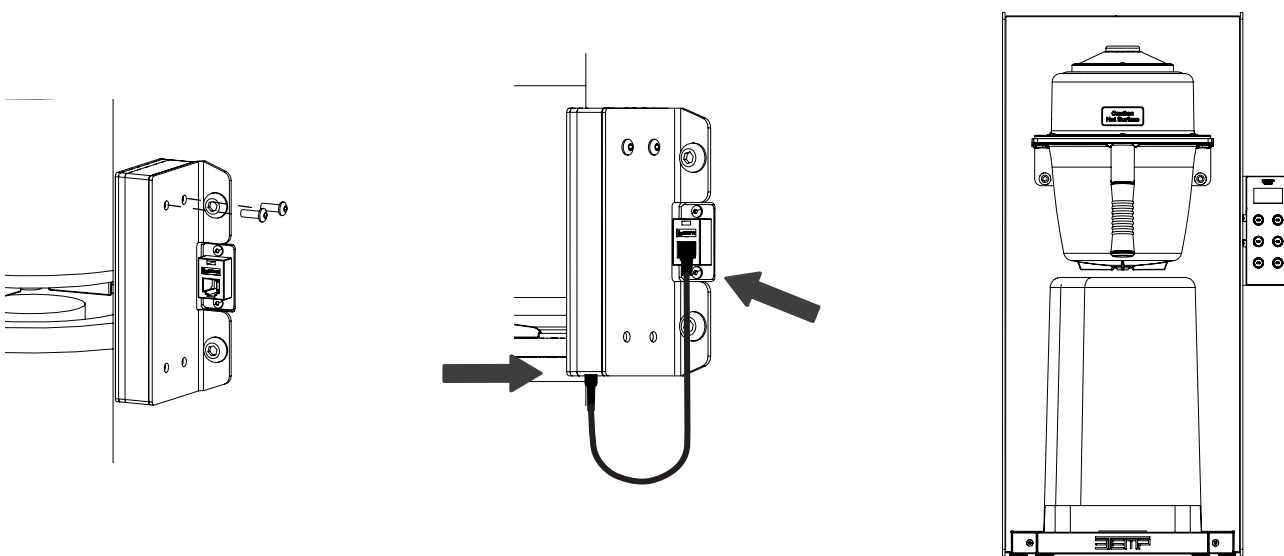
Adhesive tape



- A Route the CAN cable through the side wall .
- B Attach the CAN cable to the backside of the plug.
- C Tighten the screw with a hex key.



3. . Fasten the button controller and attach the CAN cable.



## 7.4 Connect the water filter system.



**Note!** See manual with the filter set.



## 7.5 Connect the network

Connect the network cable (RJ45) white cable. To the LAN-port of the router.

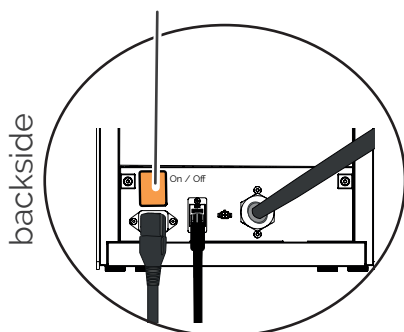


1. Start the router 1 minute before the coffee machine, to get an IP-address.
2. Start the machine.
3. A short beep sound means the brewer is on.
4. After 3-8 sec long beep means that the brewer have received an IP-address.
5. Start a run cold. 300-400 ml will be dispensed,
6. Now the PULS is installed. You are now ready to brew see page 20.

## 7.6 Start the PULS

1. Press ON button to start the PULS

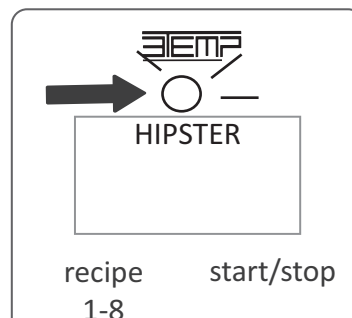
On/Off





## 7.7 Machine status

State number	State name	Light
0.	Off	
1.	Startup	
2.	Idle	Green
4.	Running	Blue
16.	Heater error	Red slow blink
19.	Connector error	Red fast blink
20.	Watersupply error	Red fast blink



**Note!** For 3TEMP to be able to support you in the best possible way, please connect your Hipster to the internet via LAN, WLAN or GSM. Use tethering on the router and connect to your existing Wi-Fi.

- If you need support, please send us an email to [support@3temp.com](mailto:support@3temp.com) or call your nearest support.
- If you want to give us feedback on the product; please send us an email to [info@3temp.com](mailto:info@3temp.com)

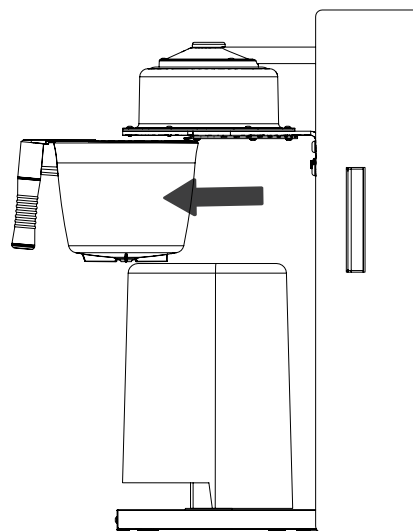
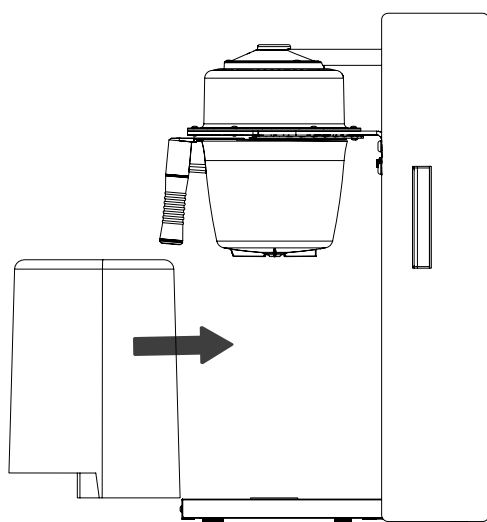
## 8. User instructions

### 8.1 Prepare a brew

1. Place the thermos under the brew basket.
2. Remove the brew basket from the brew hat.



**Danger!** Can cause serious burns. Do not remove the brew basket while brewing and the lamp indicator flashes blue.



3. Add filter to the brew basket.

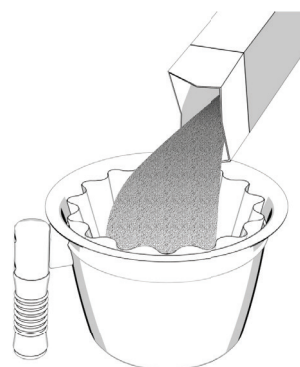
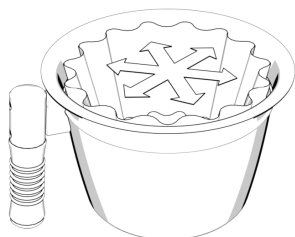
4. Add coffee into the filter



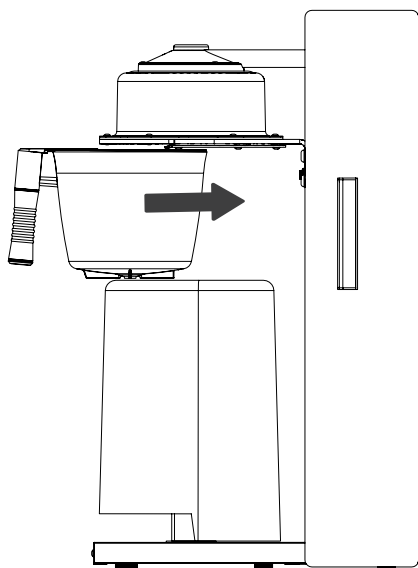
**Note!** Make sure the filter fits correct.  
Use 3TEMP coffee filter paper



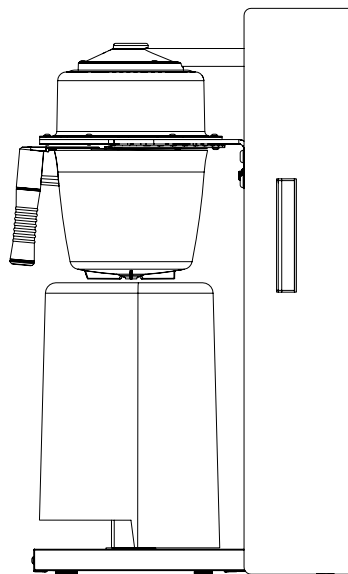
**Note!** Make sure the coffee is spread evenly and the surface is flat.



5. Reinstall the brew basket.



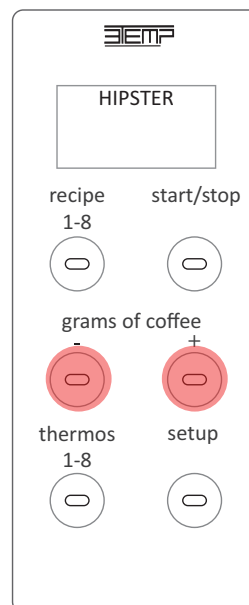
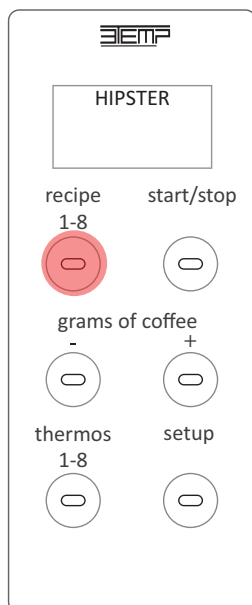
6. Ready to brew.



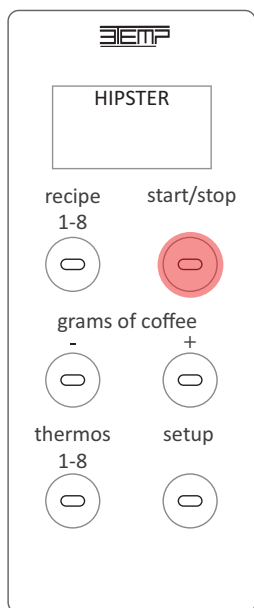
## 8.2 Select recipe

1. Select a recipe

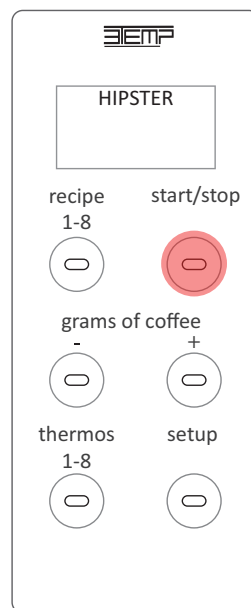
2. Adjust grams or millilitre. If needed.



3. Press **Start** to brew.



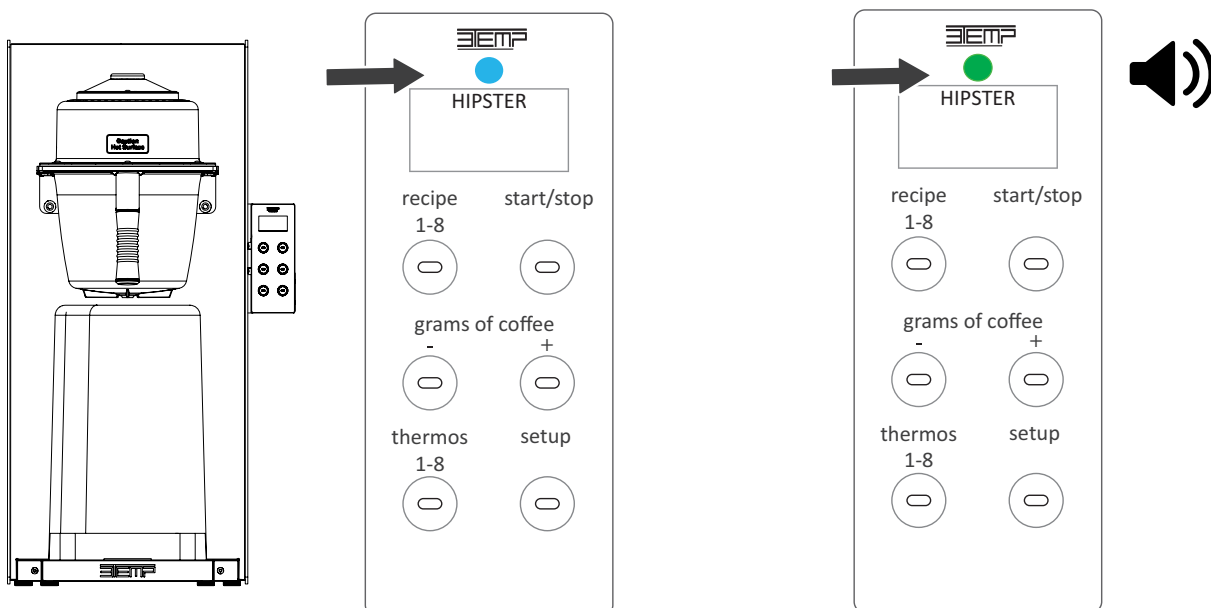
4. Brewing in progress. Press **Stop** button to stop.



**Caution!** The metal parts of the Brewer hat will be very hot.

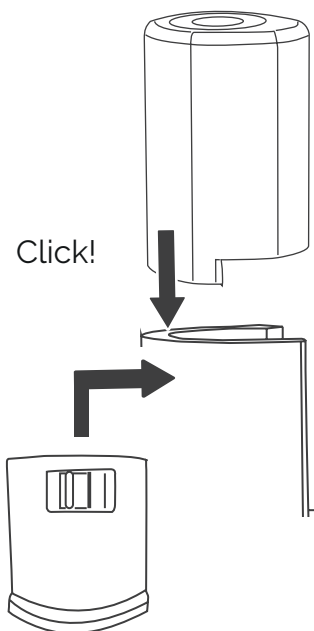
5. Brewing is in progress when the blue indicator is flashing.

6. When the brew is finished, the indicator light turns green and a beep is heard.

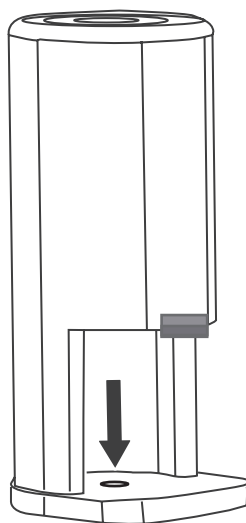


### 8.3 Thermos detachable serving base

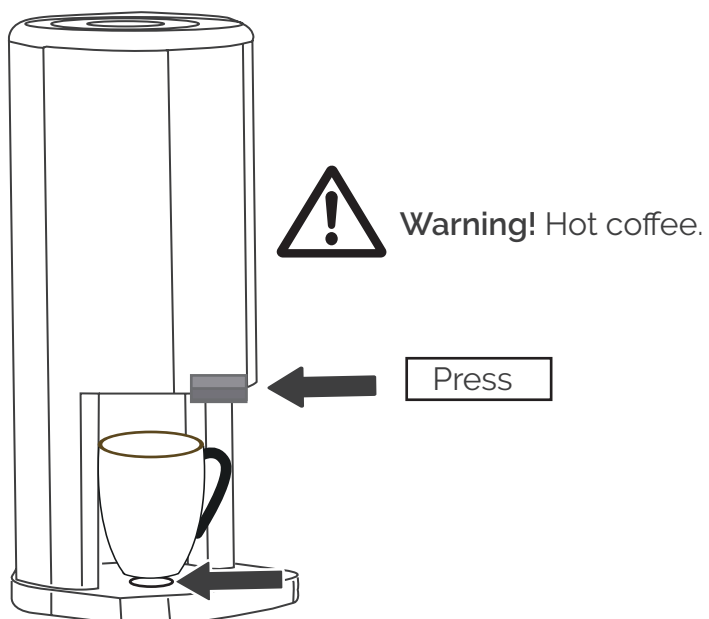
1. Place the thermos and place it on the detachable serving base



2. Place the cup on the white spot.



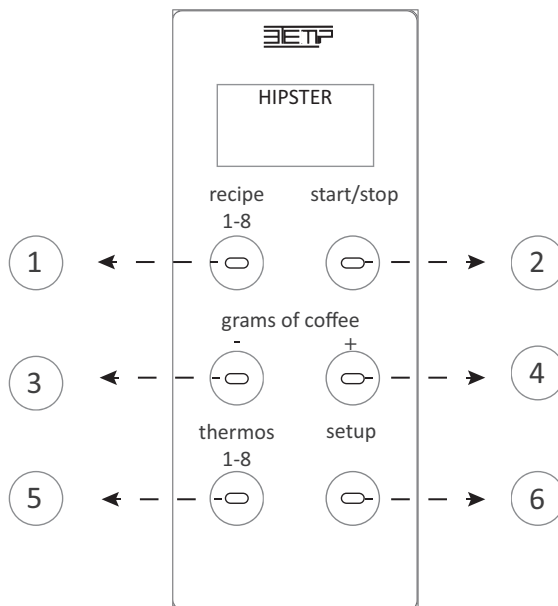
3. Press for coffee.





## 9. Recipe settings with button controller.

### 9.1 Recipe settings



- 1 Button 1: Enter recipe editor by pushing and holding down the button until display shows "Edit Recipe".
- 2 Button 2: In mode "Edit Recipe" this button enables/disables the recipe. (Disabled recipe is still in the machine but does not show when pushing 1 "Recipe 1-8" in normal mode).
- 3 Button 3: Step Down/Back/Previous item (-) in every menu.
- 4 Button 4: Step Up/Forward/Next item (+) in every menu.
- 5 Button 5: Previous menu/Back/Cancel
- 6 Button 6: Next Menu/OK

## Example: How to “Edit a Recipe”

“slot” is the recipe number (1-8)

1. In idle mode enter “Programming mode” by pushing and holding button **1** until “Edit Recipe” shows in display.
2. Use buttons **3** or **4** to chosen recipe slot (1-8).
3. Press button **6** to edit selected recipe slot.
4. Select type of recipe by using **3** or **4**

### Available selections:

EMPTY	Empty slot/Delete recipe, create empty slot
BATCH/SINGLE/COLD BREW	Existing recipe in slot
NEW BATCH 1.0/60	Template Batch brew 1000 ml water 60 grams of coffee
NEW BATCH 2.0/120	Template Batch brew 2000 ml water 120 grams of coffee
NEW BATCH 2.5/150	Template Batch brew 2500 ml water 150 grams of coffee
NEW BATCH 3.5/210	Template Batch brew 3500 ml water 210 grams of coffee
NEW SINGLE 0.3/18	Template Single brew 300 ml water 18 grams of coffee
NEW SINGLE 0.5/30	Template Single brew 500 ml water 30 grams of coffee
NEW COLDB 1.0/85	Template Coldbrew 1000 ml water 85 grams of coffee
NEW COLDB 2.0/170	Template Coldbrew 2000 ml water 170 grams of coffee
NEW COLDB 2.5/213	Template Coldbrew 2500 ml water 213 grams of coffee
NEW COLDB 3.5/298	Template Coldbrew 3500 ml water 298 grams of coffee

5. Press **6** to enter selected recipe.
6. Use **3** or **4** to set the chosen values.
7. Press **6** to enter next recipe configuration.
8. Repeat step 6 and 7 until “Confirm Save” appears.
9. Confirm by pressing **6**
10. Menu is now back in “Edit recipe”. Select another slot by using repeating steps 2-9 or leave “Programming mode” by pressing **5**



**Note!** Button **5** always moves back to previous selection.

The recipe automatically get the following name:

“slotnumber”-“water amount”/“default grams”-“strength in grams/liter”

Name: 4-2500/213-55

Means following:

Slotnumber:	Number 4
Water amount:	2500 ml of water
Coffee:	213 grams of coffee
Strength:	55 grams coffee per liter water

## Delete recipe

"slot" is the recipe number (1-8).

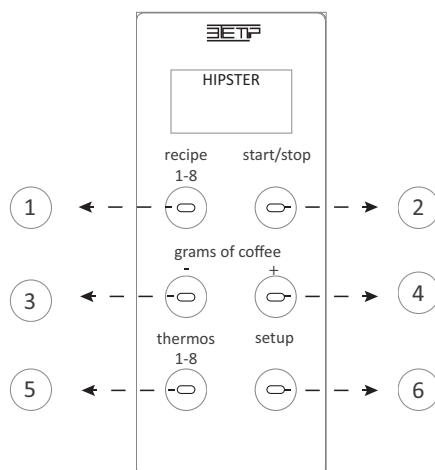
1. Do step 1-3 in "Edit recipe" (page.27).
  2. Select EMPTY by pressing **3** or **4**
  3. Press **6** to enter "Confirm Delete".
  4. Press **6** to confirm deletion of recipe.
- Button **5** always moves back to previous selection.

## Enable/Disable recipe

1. Do step 1-2 in "Edit recipe".
2. Press **2** to switch from one setting to another Enabled/Disabled status of slot.
3. Press **6** to enter "Confirm Enable/Disable".
4. Press **6** to confirm Enable/Disable slot.



**Note!** Button **5** always moves back to previous selection.



## 10. Care and maintenance after use.

### 10.1 Cleaning instructions

Always follow the cleaning instructions!



Clean parts, accessories, filter basket and thermos using warm water and a gentle dish washing liquid and rinse well. Wipe the outer housing and drip tray with a soft damp cloth and dry thoroughly.



**Caution!**  
Protect your eyes.



**Danger!**  
Disconnect the appliance from the power socket before assembly, disassembly and cleaning.



**Caution!**  
Do not use rough abrasive materials or sharp object which can scratch the surface of the coffee machine. Use a soft cloth to clean the drip tray.



**Important!**  
Keep the coffee machine clean.



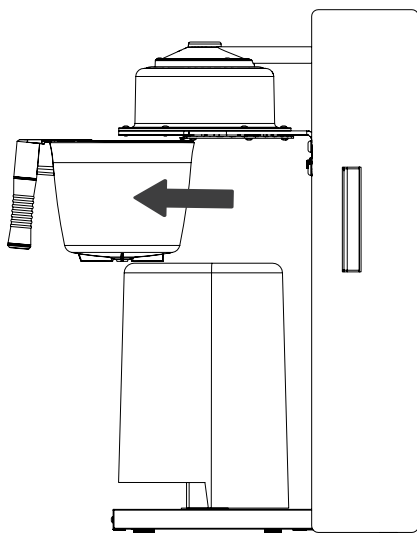
**Caution!**  
Do not use liquids other than water.



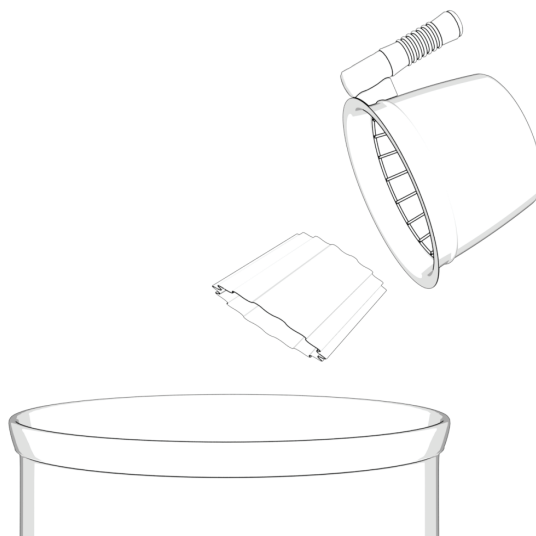
**Danger!**  
Appliance must not be cleaned by a water jet.

## 10.2 Cleaning thermos

1. Remove the brew basket from the brewer hat.



2. Clear any object free from the brew basket.



3. Make sure the thermos is empty.

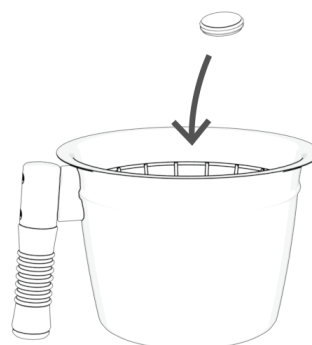
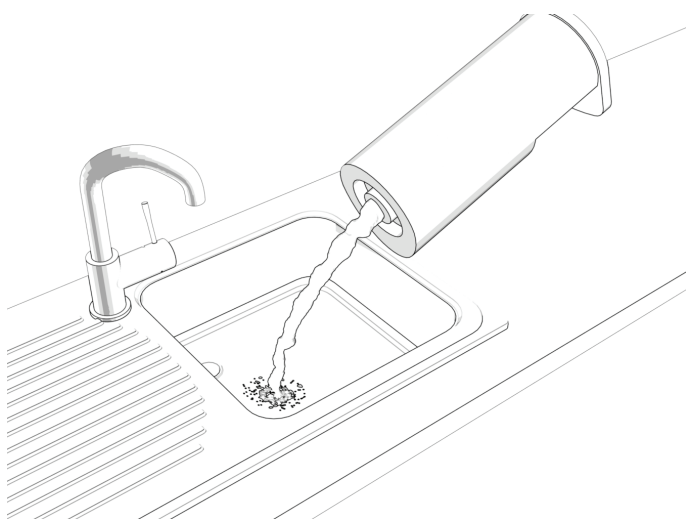
4. Cleaning Tablet  
(Part Nr :100204)



**Caution!** Protect your eyes.

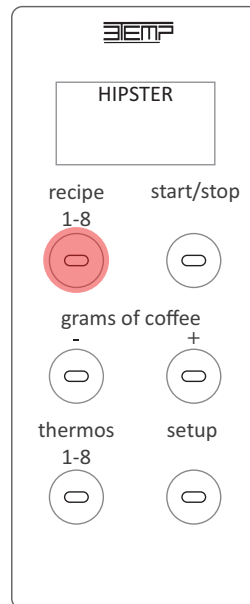
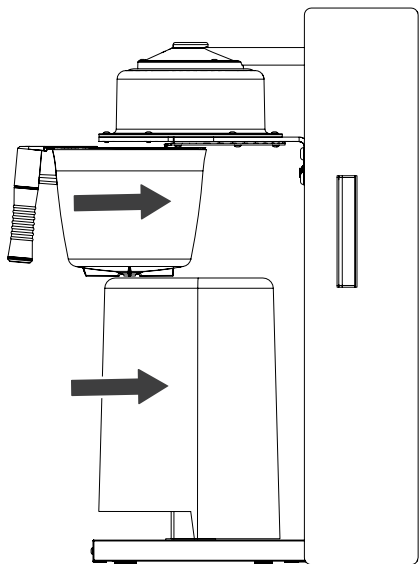


**Warning!** Keep away from children.



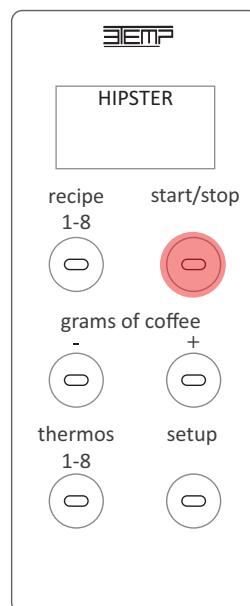
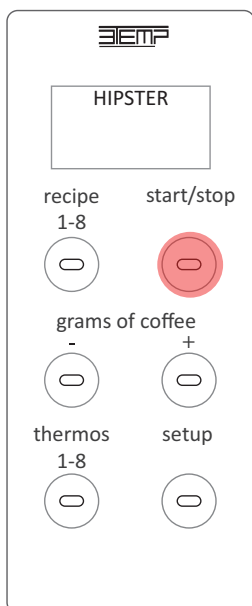
5. Reinstall the brew basket and the thermos.

6. Choose suitable recipe.  
3TEMP recommend 2,5 lit



7. Press **Start** on the Button controller

8. Wait for the brew process to finish.  
Press **STOP** to interrupt the brewing process.



9. When finished. Clear the thermos out of cleaning fluid.



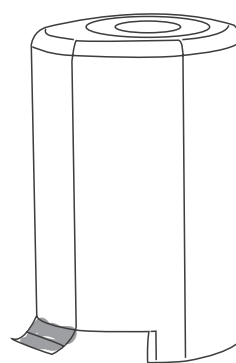
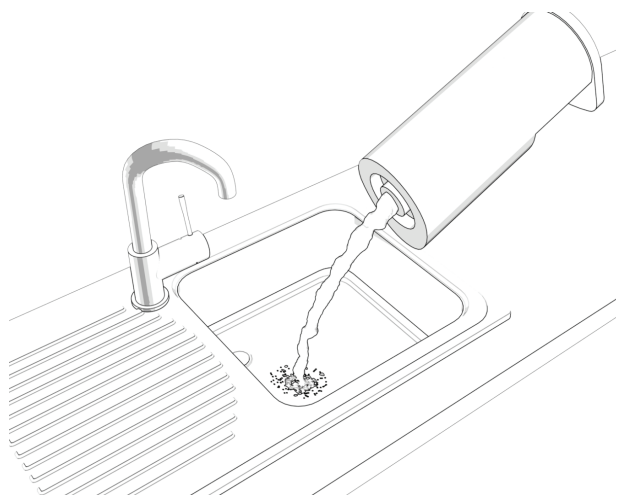
**Warning!** Hot water



**Note!** For better result; let it stand for approx. 1 -2 hour in the thermos.



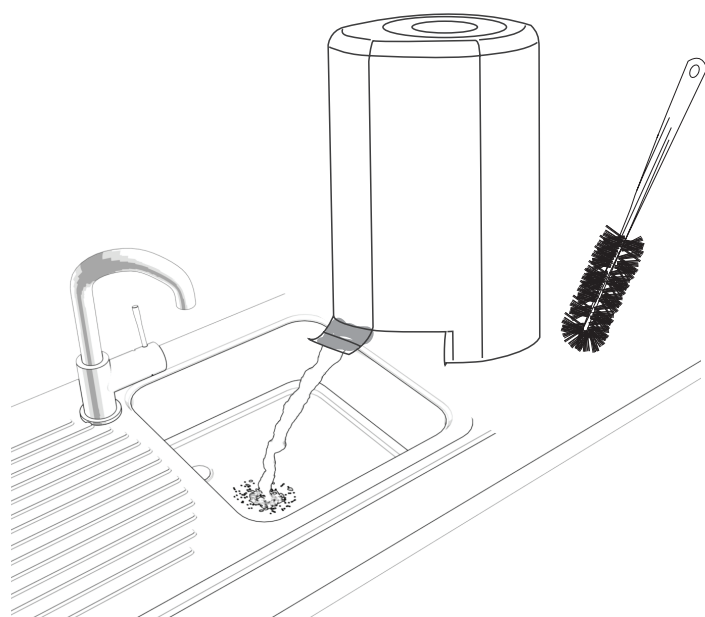
Protect your eyes.



- 
10. Clean it with a dish brush. Rinse out several times!



**Caution!** Make sure that **no** cleaning fluid is left in the thermos. Rinse out properly.



### 10.3 Cleaning water strainer

1. Dissolve a cleaning tablet in hot water

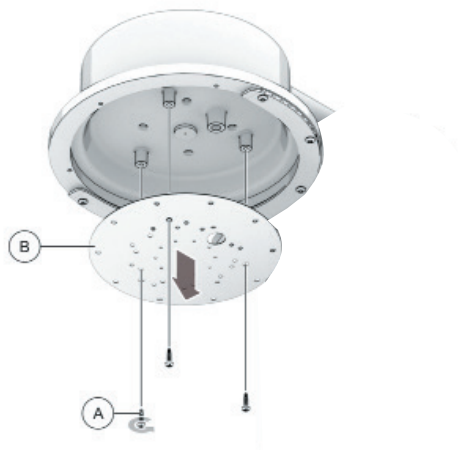
2. Remove screws (A) and detach shower screen (B).



**Warning!** Hot water.



Protect your eyes.



3. Clean water strainer using the dissolved cleaning solution prepared in step 1.

4. Reassemble shower screen.

**Caution!** Tighten all screws evenly and make sure water strainer is in level. Do not overtighten. You could damage the water strainer.





## 11. Spare parts

Adjustable foot	550357	
Button controller	600917	
Brew basket steel	600537	
Brew basket plastic	600968	
Brewer hat	600607	
500 Coffee filter 110/330	500277	
Drip tray insert	550358	
Drip tray	600478	
Extension adapter	600961	
Extension cord router rj45	600948	
Inlet hose black	600941	
Thermos	550152	
Water block	600839	
Water filter best max V	500242	
Water filter installation kit	typ 1 500243	
	typ 2. 500249	
Wi-fi router and tablet	600919 230 3G	600920 UK 4G
	600920 240 4G	600920 US 4G
Wire insert	500913	
Wire insert Single brew	500953	
Non-return valve	550038	

## 12. Extra additions

### Cold brew

Extra addition; cold brew function.

The Hipster series brews a batch of cold brew like it does with regular coffee, but without the heat in only 18 minutes (2,5l).

Since there is no boiler with preheated water you can also brew with the cold water that comes into the brewer from your water mains.

To order the cold brew function; contact [support@3temp.com](mailto:support@3temp.com).



---

### Single brew

Brew basket steel 600537-02

Wire insert 500953-02

## 13. Declaration of conformity

This declaration of conformity is issued under the sole responsibility of the manufacturer  
 We declare under our sole responsibility that this product is in conformity with all relevant provisions of  
 the following directives including their amendments and complies with the following standards.  
 The product is in conformity with the following standards and/or other normative documents:

Manufacturer: PLAE2TECH AB

Brand: 3TEMP

Factory: Arvika, Sweden

Equipment Type: Professional Coffee Brewers for institutional catering

Object of declaration: Hipster series: Hipster 1GRP, Hipster 1GRP UC, Hipster PULS, Hipster KOBRA

Product Name: Hipster PULS

Category: Specialty Coffee Recipe Brewer/Profile Brewer.

Safety; Standards to which Conformity is Declared:

IEC 60335-1:2016  
 IEC 60335-2-75:2012+A1:2015  
 EN 60335-1:2012  
 EN 60335-2-75:2004+A1:2005+A11:2006+  
 A2:2008+A12:2010  
 EN 62233:2008

UL 197 Commercial Cooking Appliance  
 E48744441190614153146  
 E4874431190614153101  
 MH618991190617174048

Health; Food Contact: COMMISSION REGULATION (EC) No 2023/2006;  
 on good manufacturing practice for materials and articles  
 intended to come into contact with food

Regulation  
 1935/2004/EC ; On materials and articles intended to come into constancy with food.

NSF/ANSI 372  
 NSF 4

Measured levels below Swedish heavy metal norm.  
 SLVFS 2001:30

Hipster Taste Quality: European Coffee Brewing Center (ECBC) approved 1.5-2.5 litres.



Anders Eriksson, CEO 3TEMP



## 14. Warranty

### Warranty

12 months for manufacturing defects– product and spare parts .  
Cover costs for defective parts

Warranty period valid according to purchase contract calculated from date of purchase.

### Scope of warranty

This warranty covers faults occurring during the warranty period, which have been notified to the reseller or verified by 3TEMP (warrantor) or a representative of the warrantor, and which concern design, manufacturing or material defects and consequential damages occurring on the product itself.

### Warranty limitations

This warranty applies on condition that the product is used in a normal fashion or under comparable circumstances for its intended purpose and that the instructions for use are followed.

This warranty does not cover faults caused by:

- Transport of the product.
- Careless use or overstraining of the product.
- Failure on the part of the user to follow instructions concerning installation, use, maintenance, care and handling.
- Incorrect installation or incorrect positioning of the product.
- Conditions that are not due to the warrantor, e.g. excessive voltage variations, lightning, fire and other accidents.
- Repair, maintenance or design changes made by an unauthorized party.
- Faults that do not impact operation, e.g. surface scratches.
- Parts that through handling or normal wear are exposed to greater than average hazard, e.g. lamps, glass, ceramic, paper and plastic parts, and filters and fuses are not covered by the warranty.
- Settings; information on use, care, handling, service or cleaning that are customarily described in the instructions for use; or works caused by the user neglecting to observe warning or installation instructions; or investigation of such are not covered by the warranty.
- The warrantor is responsible only for the operation if approved accessories are used.
- The warranty does not cover product failures caused by accessories/equipment from other manufacturers.

### General warranty limitations

The warrantor's responsibility is limited in accordance with these warranty terms and the warranty does not cover property damage or personal injury. Verbal promises made in addition to this warranty agreement are not binding for the warrantor.

Service terms during the warranty period

According to your agreement with your local distributor.

Rectification measures when fault is detected

When a fault is detected, the customer must notify this to the distributor. Specify what product this applies to (serial number are listed on the product label), and describe the fault and how it occurred as accurately as possible.

For a warranty repair to be performed, the customer must prove that the warranty is valid by presenting the receipt of purchase. After the warranty period has expired, warranty claims that have not been made in writing before the expiration of the warranty period will not be valid.

# 15. Notes

---

---

---

---

---

---

---

---

---

---

---

---

---

---

---

---

---

---

---

---

---

---

---

---

---

---

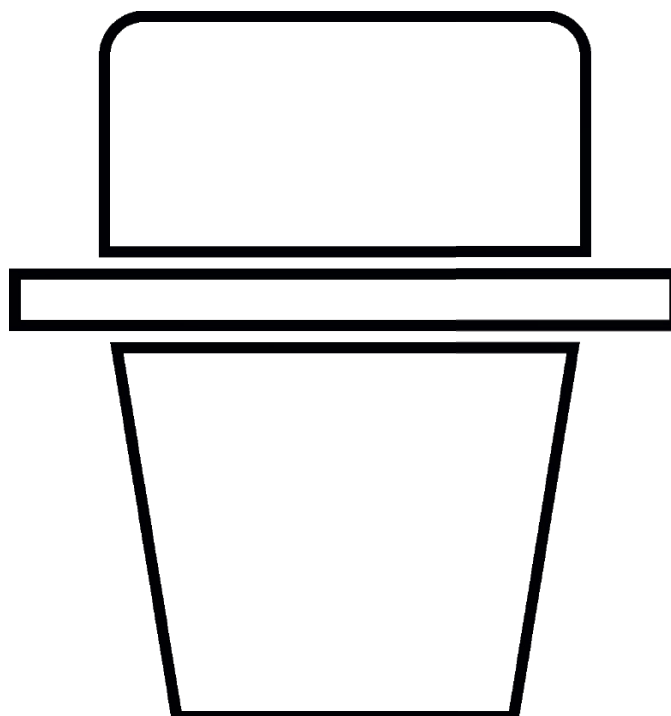
---



3TEMP can not accept any responsibility for possible errors in catalogues, brochures and other printed material provided that such alterations can be made without sub sequential changes being necessary in specifications 3TEMP. All rights reserved 2019.







*"The details create the big picture"*

**3TEMP**

Web: [3temp.com](http://3temp.com)

Mail: [3TEMP](mailto:3TEMP)  
Magasinsgatan 3  
67131 Arvika

Email: [info@3temp.com](mailto:info@3temp.com)