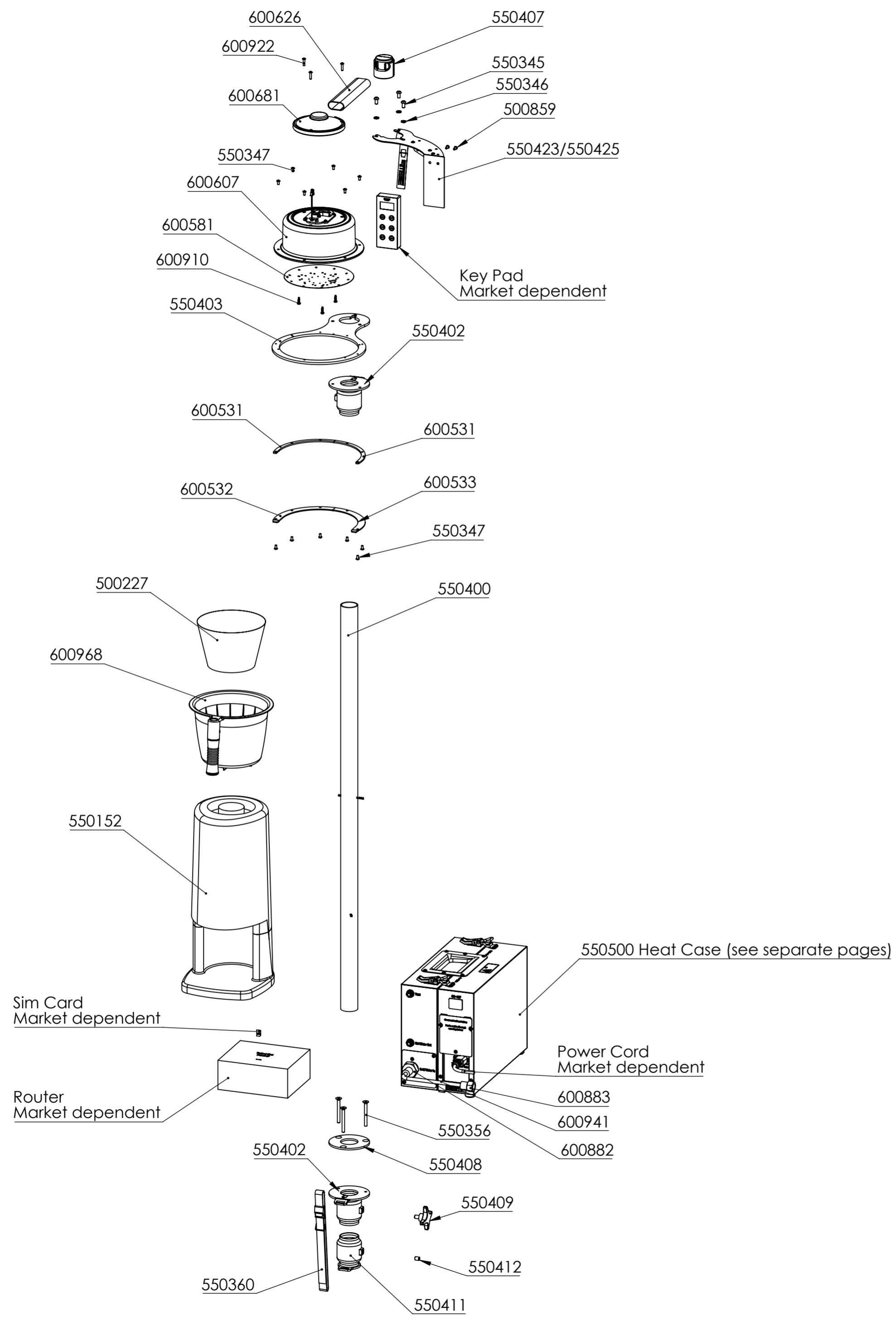


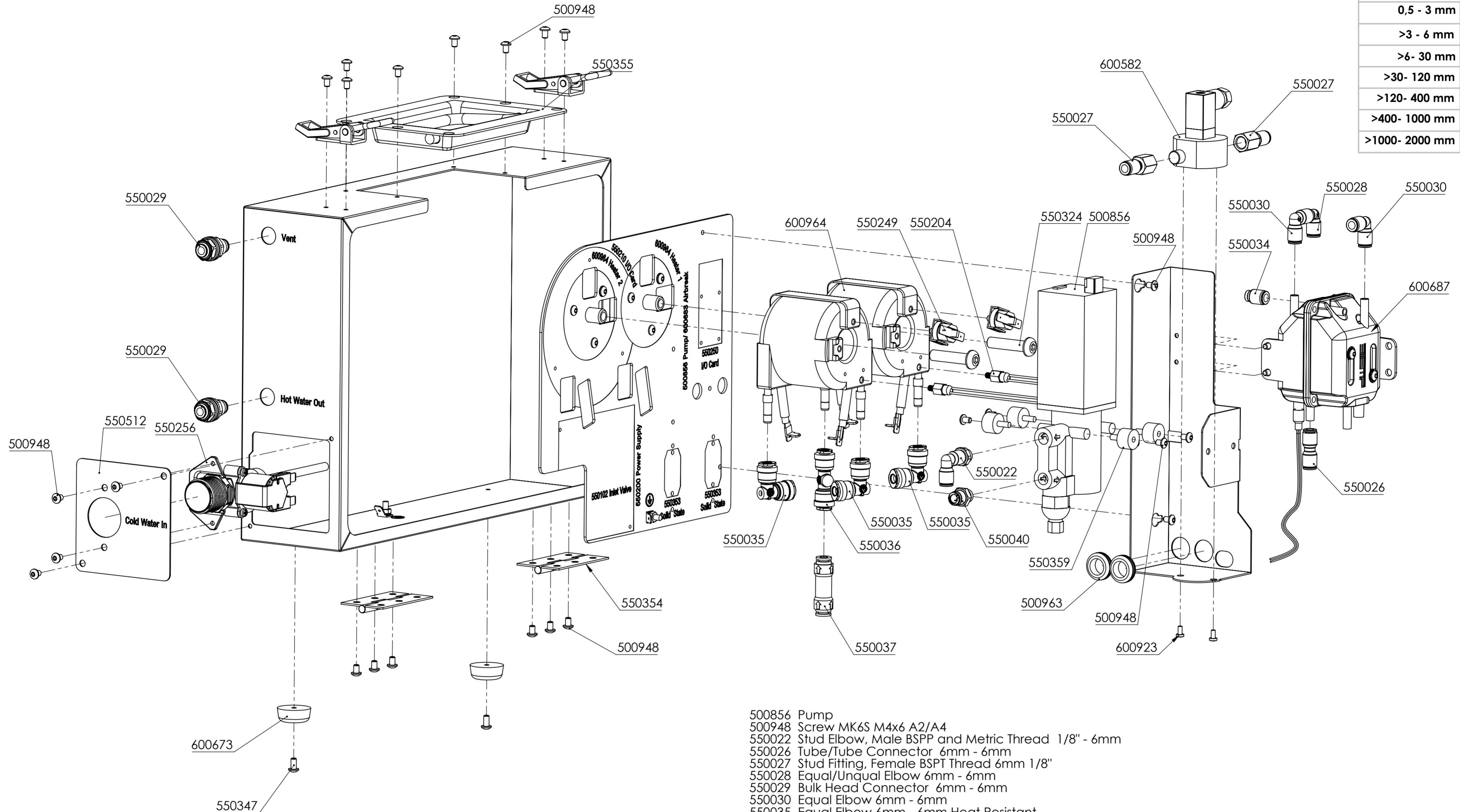
0,5 - 3 mm	±0.1
>3 - 6 mm	±0.1
>6 - 30 mm	±0.2
>30- 120 mm	±0.3
>120- 400 mm	±0.5
>400- 1000 mm	±0.8
>1000- 2000 mm	±1.2



- 500227 Coffee Filter 330/110 Hipster
- 500859 Screw MK6S M4x10 A2 alt A4
- 550152 Thermos 2.5L Glass
- 550345 Screw MK6S M6x12 A2 alt A4
- 550346 Washer Lock A4, DIN 6798 Typ A 6,.4x11x0,7
- 550347 Screw MK6S M4x8 A2/A4
- 550356 ScrewMF6S M6x60H A2 alt A4
- 550360 Strap Black 18x1500mm
- 550400 Pipe Kobra
- 550402 Flange Socket
- 550403 Hat Holder
- 550407 Pipe Top
- 550408 Flange Countersinked
- 550411 Socket Bottom
- 550412 Set screw M8
- 550423 Bracket Key Pad
- 550425 Bracket Key Pad
- 550500 Heat Case
- 600531 Slide Distance
- 600532 Slide Left
- 600533 Slide Right
- 600581 Water Strainer
- 600607 Brewer Hat
- 600626 Flat Oval Pipe
- 600681 Brewer Hat Top Plastic
- 600882 Tap Adaptor 8mm 3/4" Bsp Thread
- 600883 Tap Adaptor 8mmx3/8" Bsp Thread
- 600910 Screw RX-PT A2 K40x14
- 600922 Screw MK6S M4x16 A2/A4
- 600941 Hose 8mm
- 600968 Brew Basket Plastic

Latest Rev:		Description:		Date:	
MATERIAL:			SCALE:1:8		DO NOT SCALE DRAWING
DRAWN	NAME	SIGNATURE	DATE	TITLE:	
APPVD			21-10-04	KOBRA Spare Parts Main unit	
Q.A				PART NO.	A2
			200001		SHEET 2 OF 4

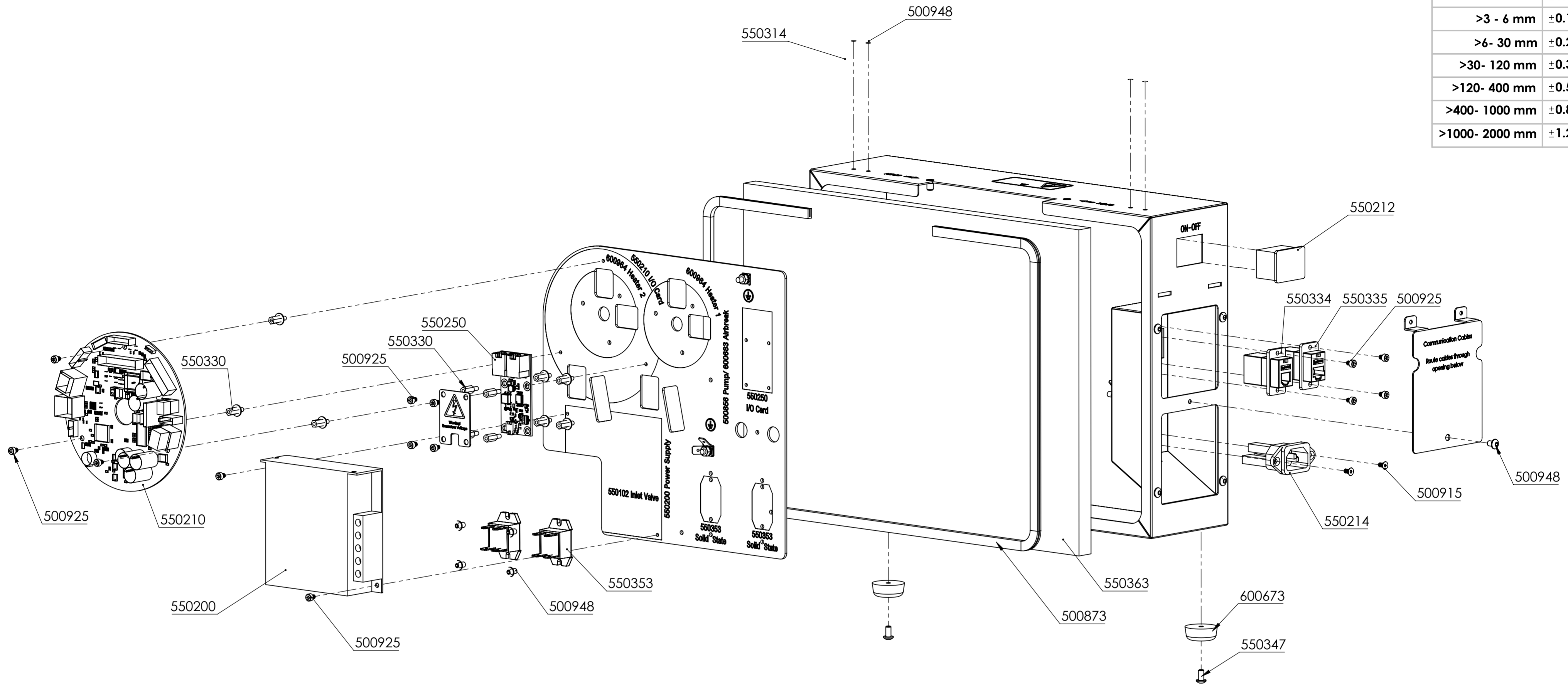
Tolerance ISO SS 2768-m	
0,5 - 3 mm	±0.1
>3 - 6 mm	±0.1
>6 - 30 mm	±0.2
>30 - 120 mm	±0.3
>120 - 400 mm	±0.5
>400 - 1000 mm	±0.8
>1000 - 2000 mm	±1.2




- 500856 Pump
- 500948 Screw MK6S M4x6 A2/A4
- 550022 Stud Elbow, Male BSPP and Metric Thread 1/8" - 6mm
- 550026 Tube/Tube Connector 6mm - 6mm
- 550027 Stud Fitting, Female BSPT Thread 6mm 1/8"
- 550028 Equal/Unqual Elbow 6mm - 6mm
- 550029 Bulk Head Connector 6mm - 6mm
- 550030 Equal Elbow 6mm - 6mm
- 550035 Equal Elbow 6mm - 6mm Heat Resistant
- 550036 Tube/Tube Connector 6mm - 6mm Heat Resistant
- 550037 Check Valve 6mm - 6mm
- 550040 Stud Fitting Male BSPP and Metric Thread 1/8" - 6mm
- 550204 NTC 100kohm for Blockelement
- 550249 Klixon Overheat Thermostat
- 550256 Inlet Valve
- 550324 Screw MK6S M8x35 A2/A4
- 550347 Screw MK6S M4x8 A2/A4
- 550354 Hinge
- 550355 Handle
- 550359 Vibration damper
- 550512 Inlet Valve Panel
- 500963 Rubber Seal
- 600582 Flow Meter
- 600673 Rubber Foot
- 600687 Cold Water tank
- 600923 Screw RT-PT 3.0x6
- 600964 Heater 1200W

Latest Rev:	Description:	Date:
MATERIAL:		SCALE:1:2
NAME	SIGNATURE	DATE
DRAWN		21-10-04
APPVD		
Q.A		
TITLE:		DO NOT SCALE DRAWING
KOBRA Spare Parts		
Heat Case Water Side		
PART NO.	200001	A2
SEMP		SHEET 3 OF 4

Tolerance ISO SS 2768-m	
0,5 - 3 mm	±0,1
>3 - 6 mm	±0,1
>6- 30 mm	±0,2
>30- 120 mm	±0,3
>120- 400 mm	±0,5
>400- 1000 mm	±0,8
>1000- 2000 mm	±1,2



- 500873 U-Seal
- 500915 Screw MF6S A4 M3x6H
- 500925 Screw MC6S M3x4 A2/A4
- 500948 Screw MK6S M4x6 A2/A4
- 550200 Power Supply
- 550210 I/O Card Tube
- 550212 Push Button On/Off
- 550214 Appliance Inlet Socket
- 550250 I/O Card Volt
- 550314 Hook
- 550330 Spacer M3
- 550334 L-COM RJ12
- 550335 L-COM RJ45
- 550347 Screw MK6S M4x8 A2/A4
- 550353 Solid State
- 550363 Isolation
- 600673 Rubber Foot

Latest Rev:		Description:		Date:	
MATERIAL:			SCALE:1:2.25		DO NOT SCALE DRAWING
DRAWN	NAME	SIGNATURE	DATE	TITLE:	
APPVD			21-10-04	KOBRA Spare Parts	
Q.A				Heat Case Electric Side	
			PART NO.	200001	A2
					SHEET 4 OF 4